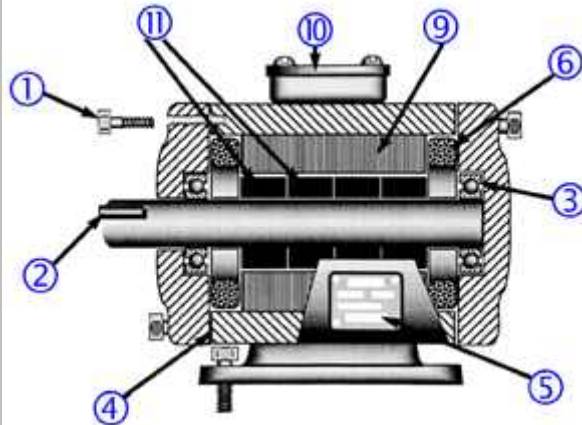
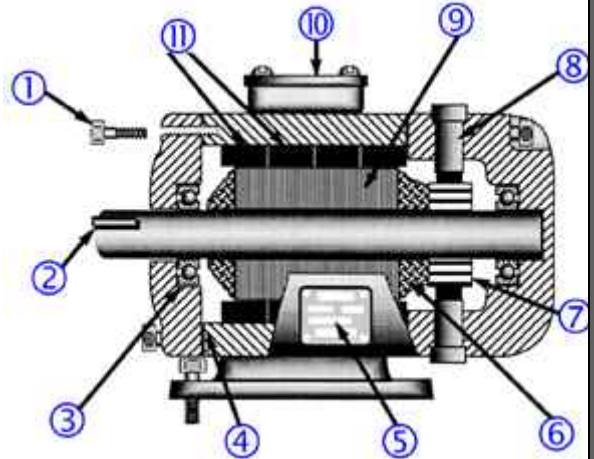


Motor Components and Description

Brush-Less Motor Components and Applications



Brush-Type Motor Components and Applications



Motor Components Description

- | | |
|--------------------------|---------------------------------|
| 1. End Bell Fasteners | 7. Commutators |
| 2. Shaft Keys and Keyway | 8. Brush Holders |
| 3. Bearings and Bushings | 9. Laminations |
| 4. End Bell Flanges | 10. Conduit Connection Box Seal |
| 5. Identification Plates | 11. Magnets (ferrites) |
| 6. Wire Varnish | |

Reference:

www.heronmfg.com/electricmotor.htm