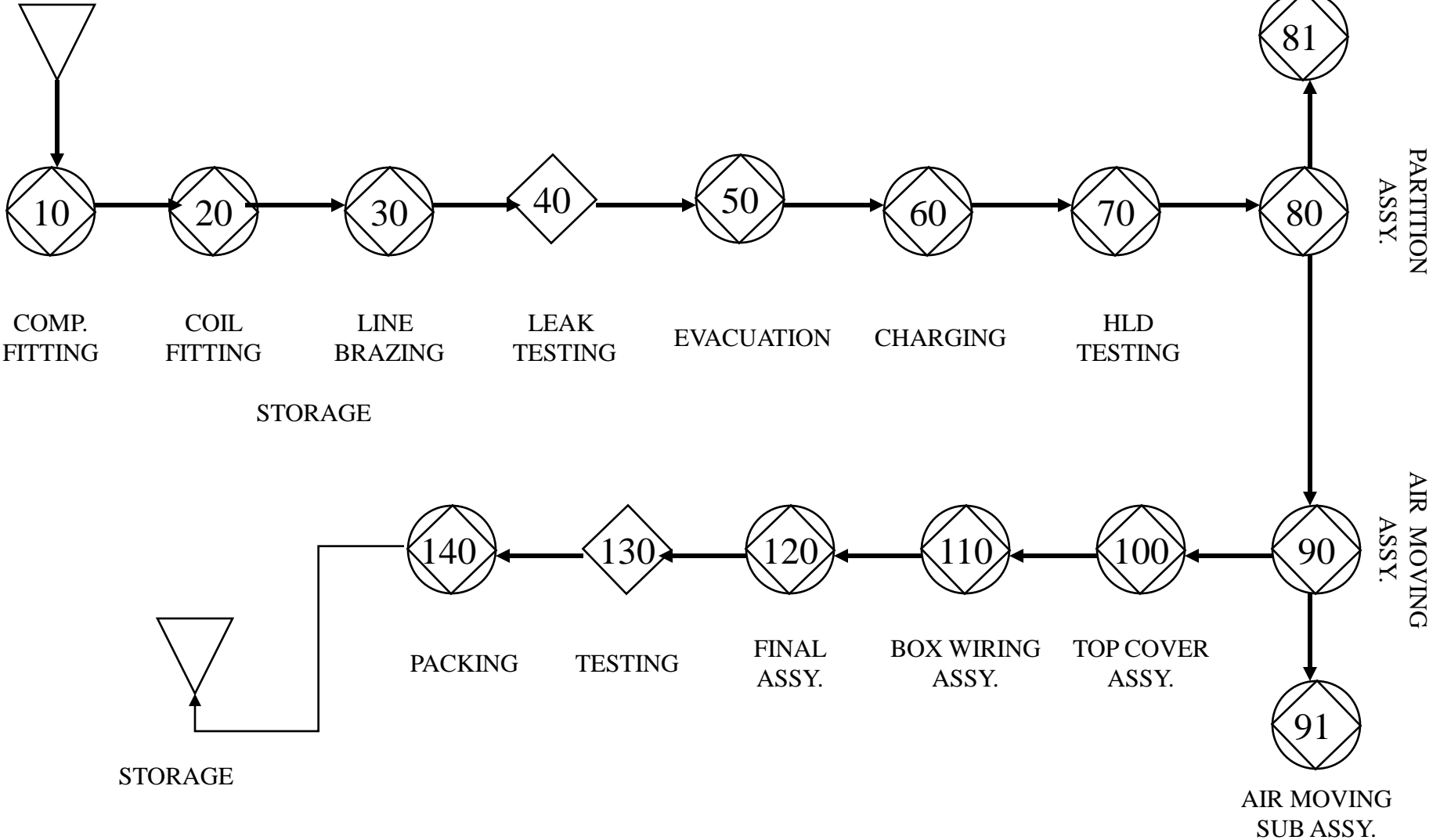


FLOW CHART "WRAC"

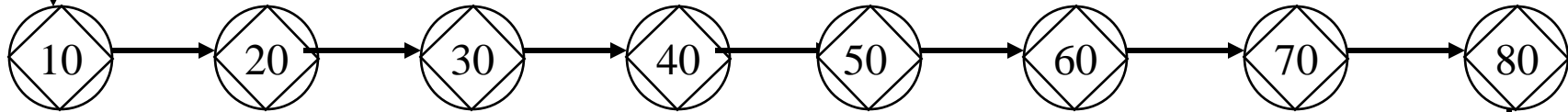
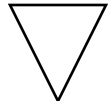
STORE/
PAINT SHOP

PARTITION
SUB ASSY.



FLOW CHART "AIR COOLED CHILLER"

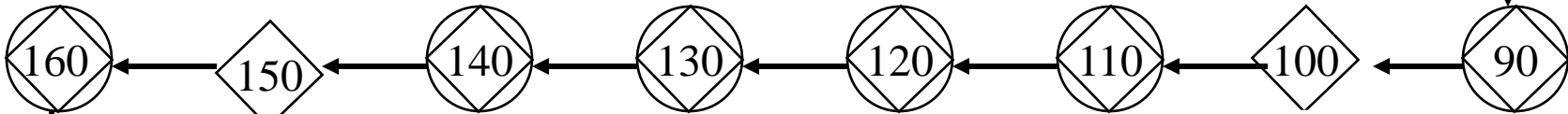
STORE/
PAINT SHOP



10: BASE WELDING
 20: COMP. FIXING
 30: COOLER ASSY WITH BASE PLATE
 40: PIPING & BRAZING (DIS. LINE)
 50: PIPING & BRAZING (SUCT. LINE)
 60: PIPING & BRAZING (LIQ. LINE)
 70: CORNER POST & SHELF FIXING.
 80: COIL FIXING

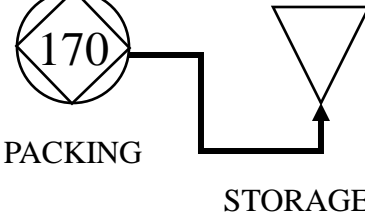
COIL FIXING

FINAL ASSY.



160: FINAL ASSY.
 150: LEAK TESTING
 140: BAFFLE ASSY.
 130: FAN DECK ASSY.
 120: REFRIGRENT CHARGING
 110: ELECTRICAL PANEL FIXING & WIRING
 100: TESTING
 90: INTER CON TUBING (UPPER PORTION)

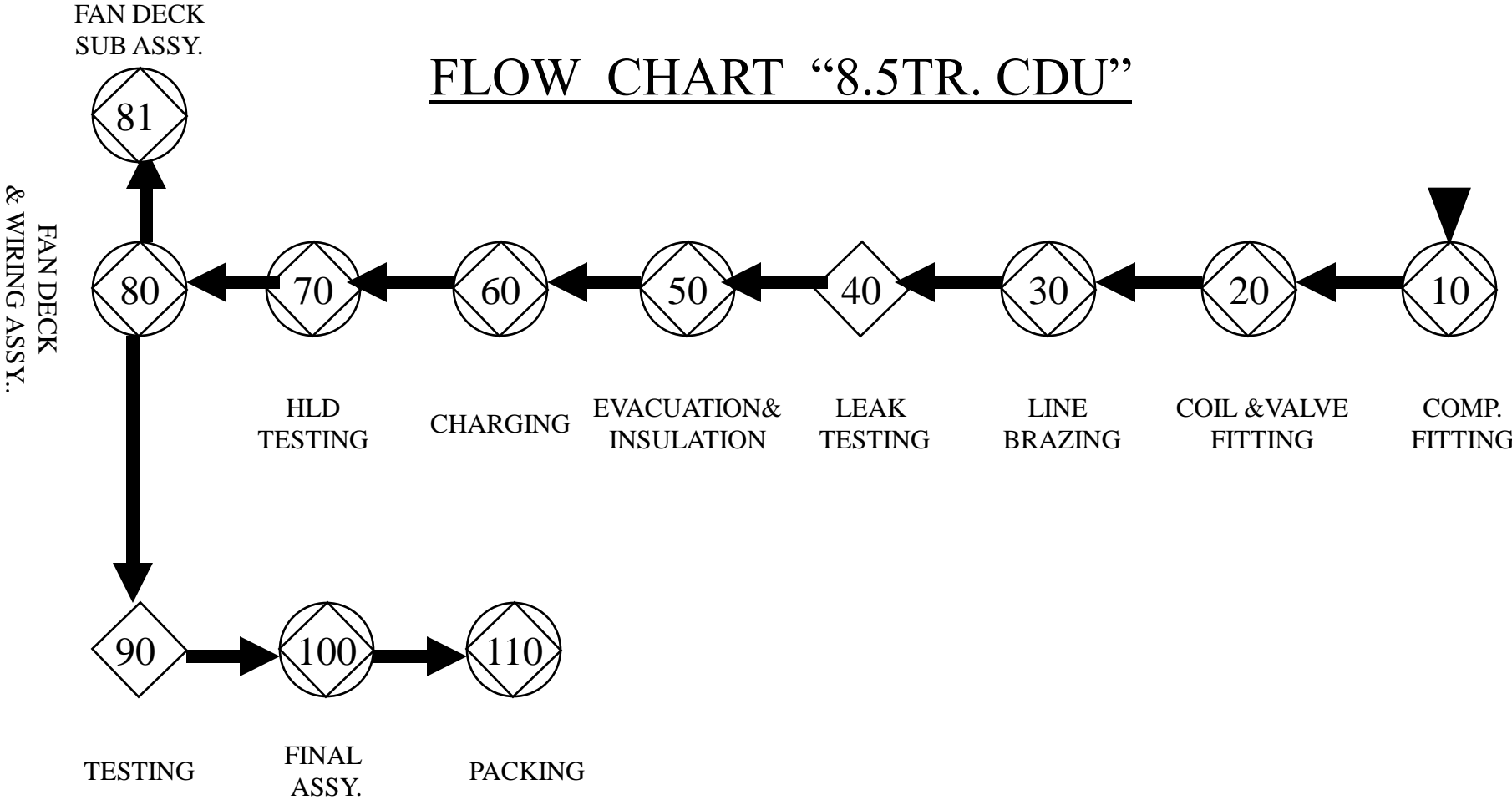
INTER CON TUBING
(UPPER PORTION)



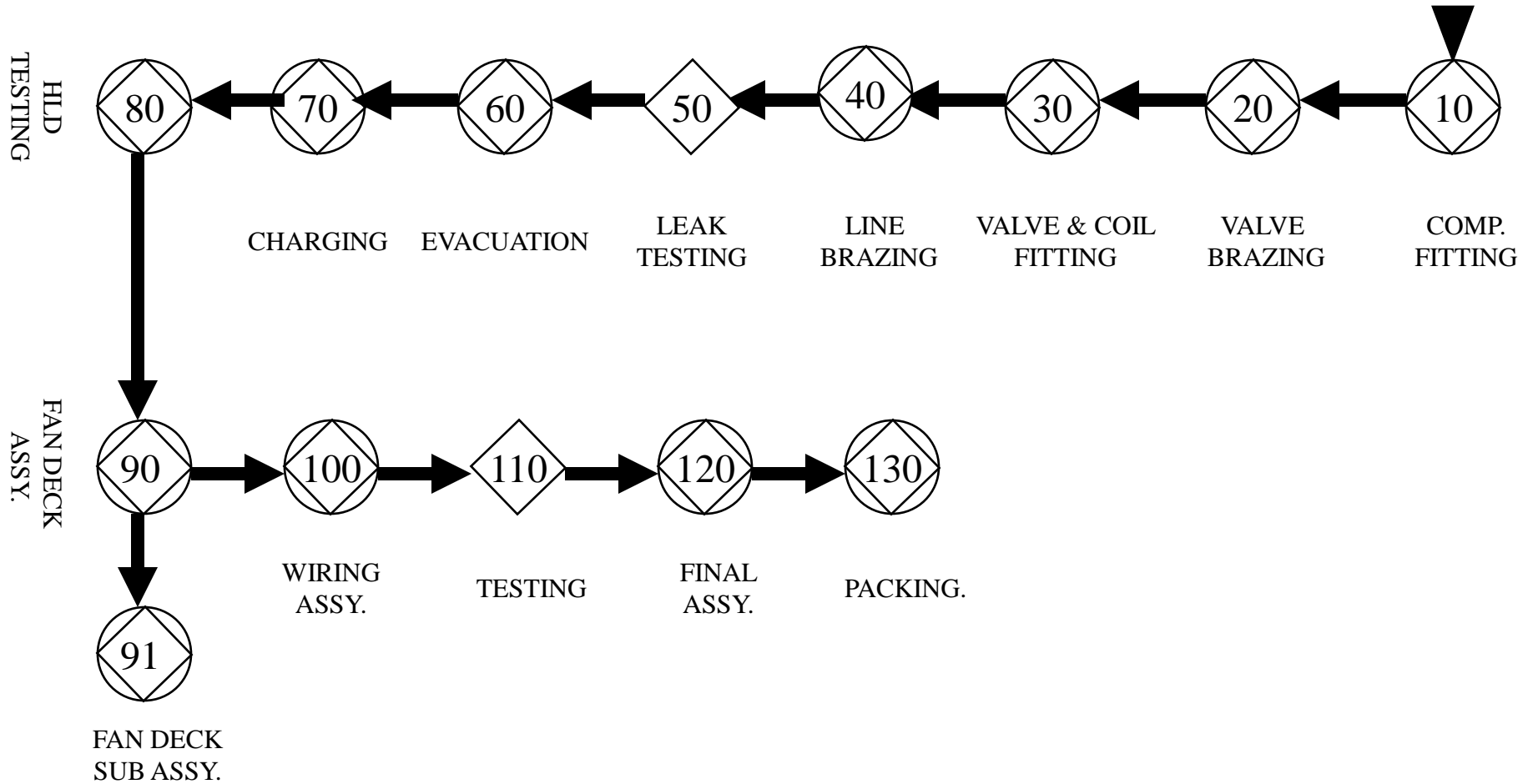
PACKING

STORAGE

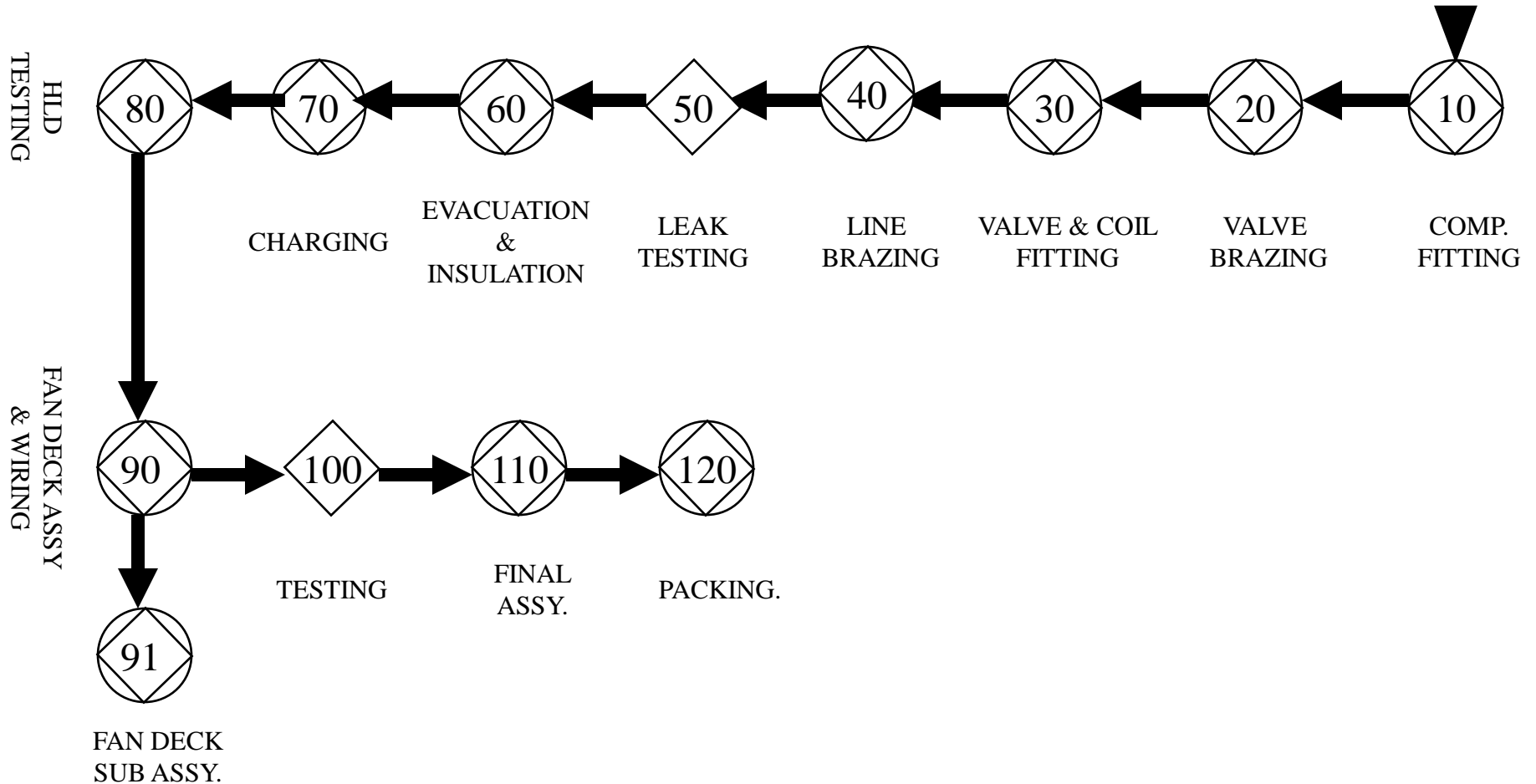
FLOW CHART "8.5TR. CDU"



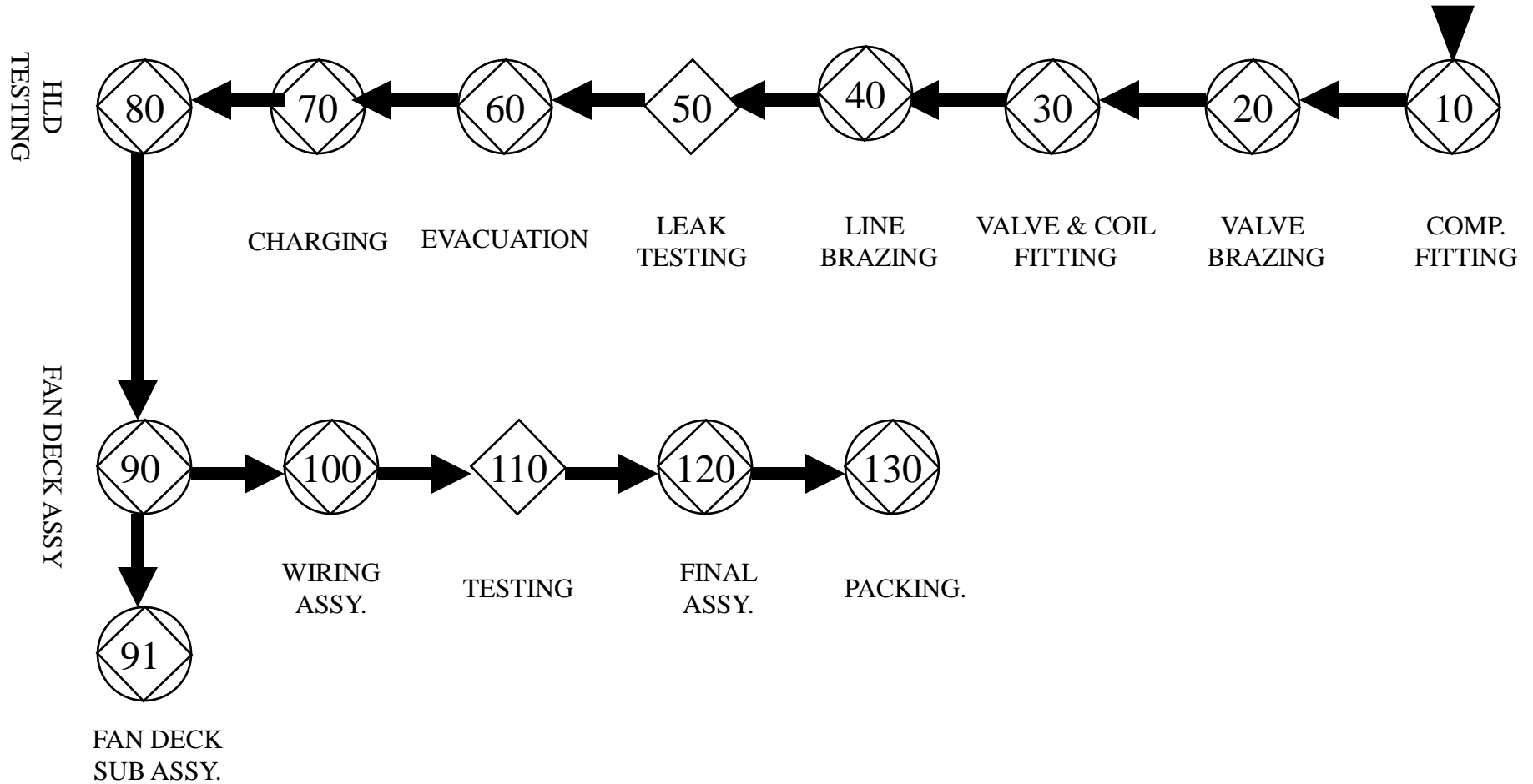
FLOW CHART "1,1.5,2.0TR.CDU"



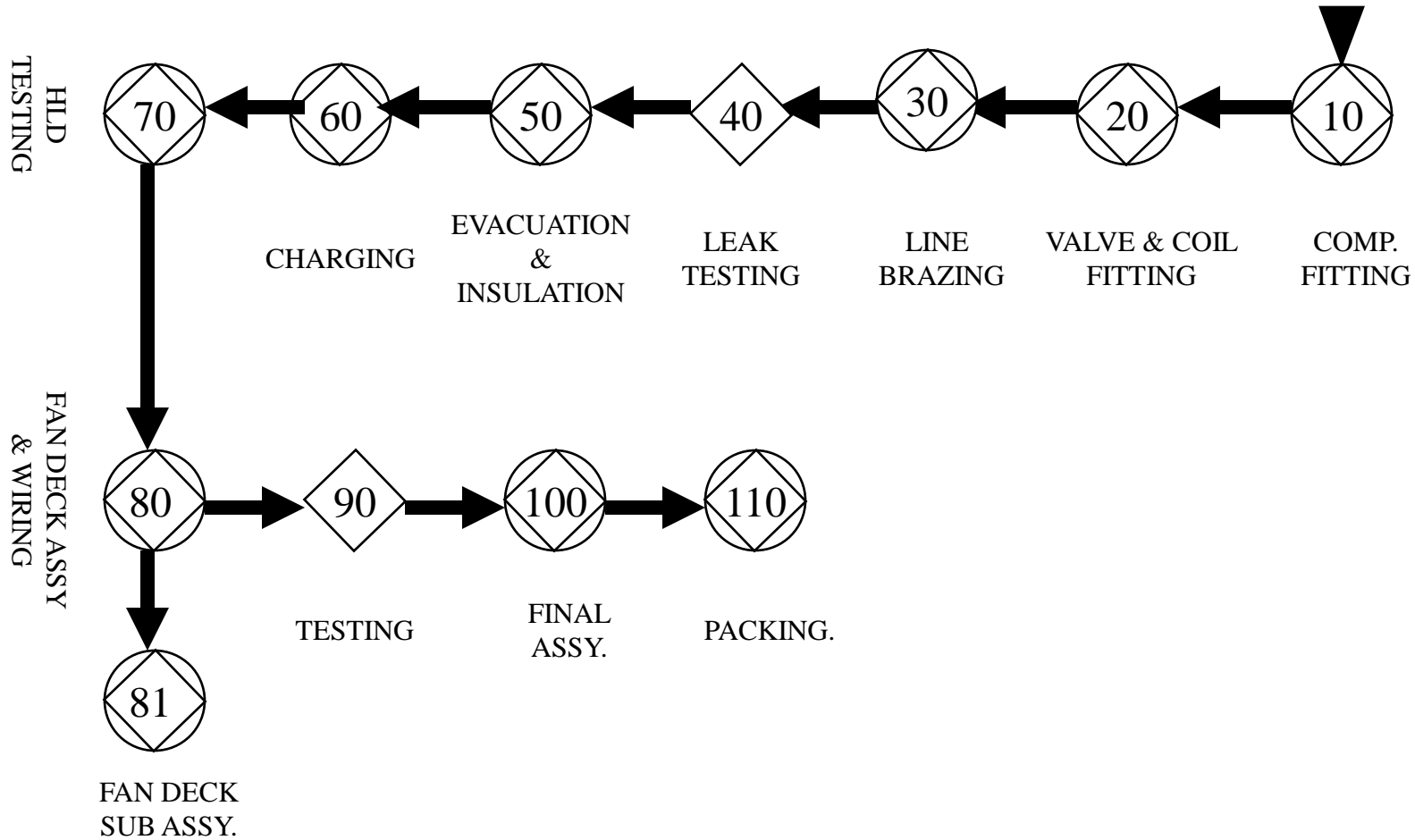
FLOW CHART "5.0,7.5TR.CDU"



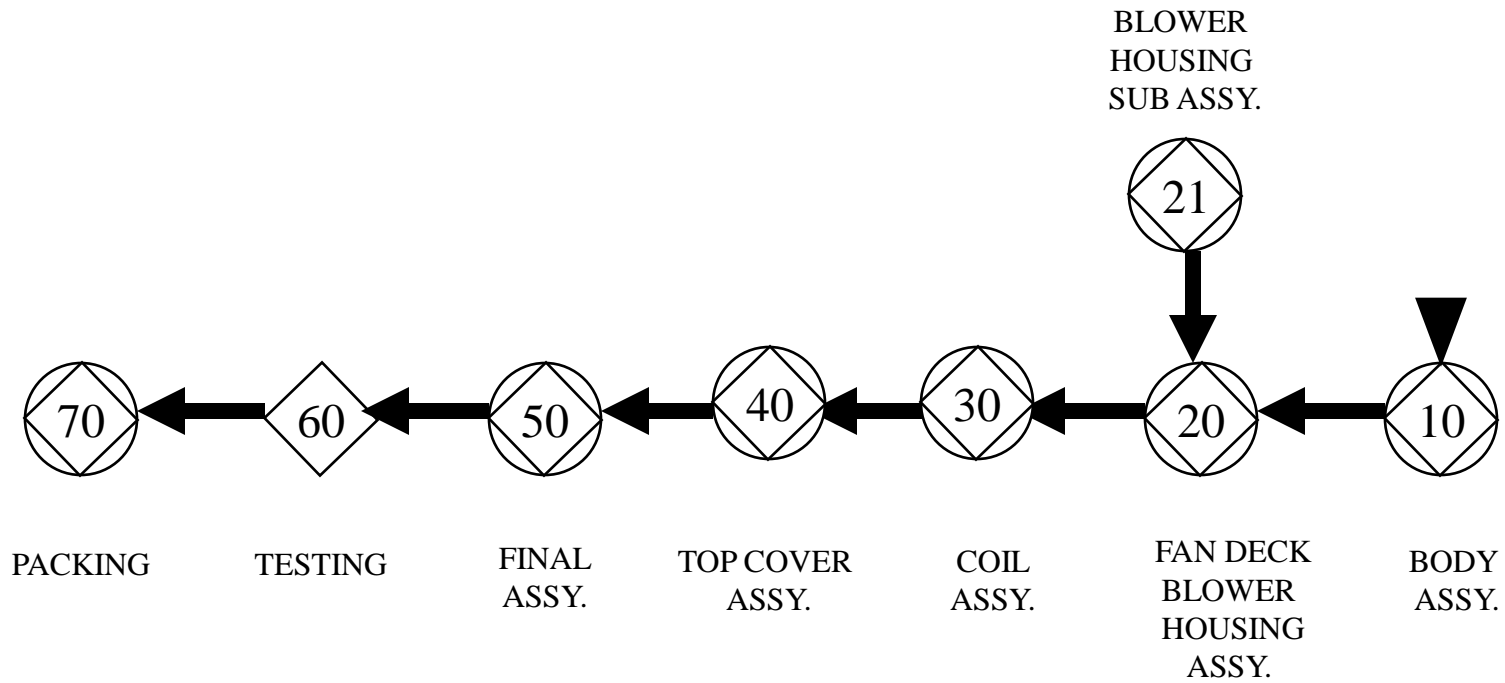
FLOW CHART "3.0,4.0TR.CDU"



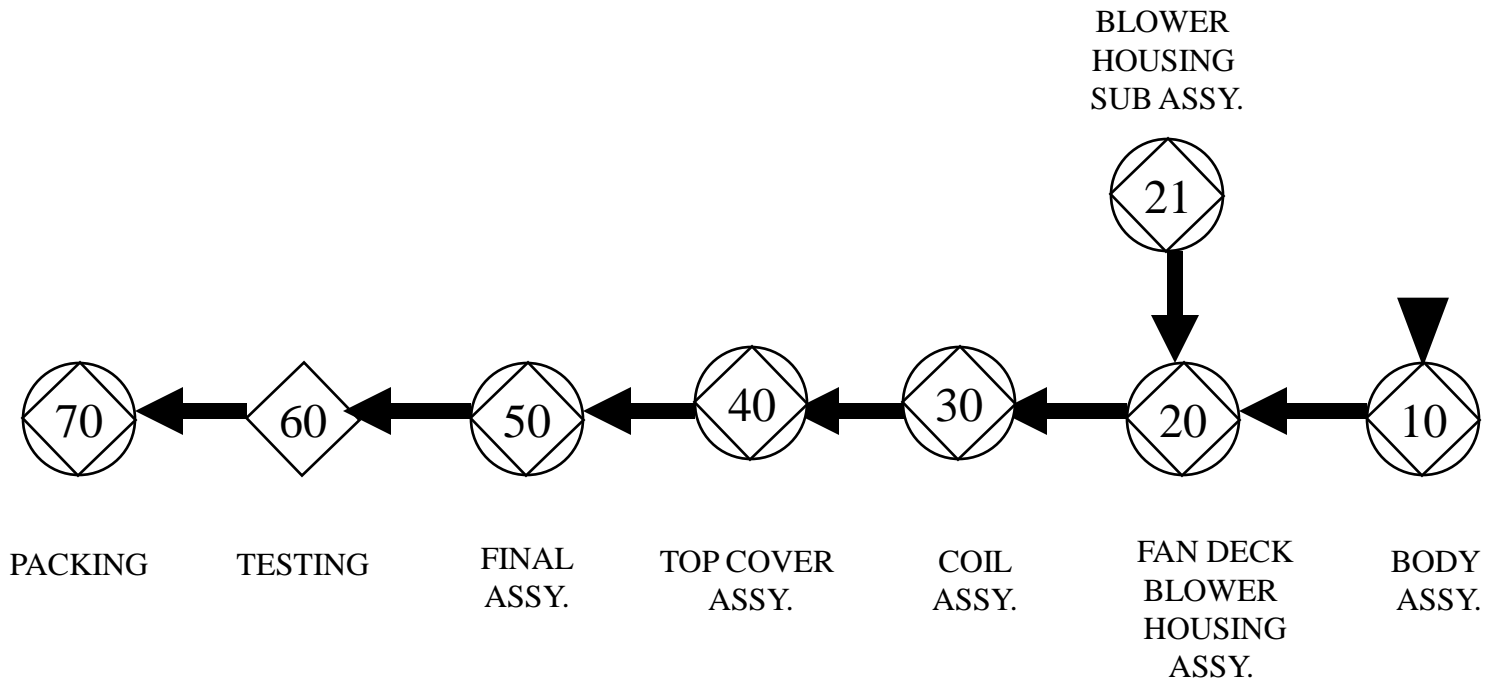
FLOW CHART "5.8TR.CDU"



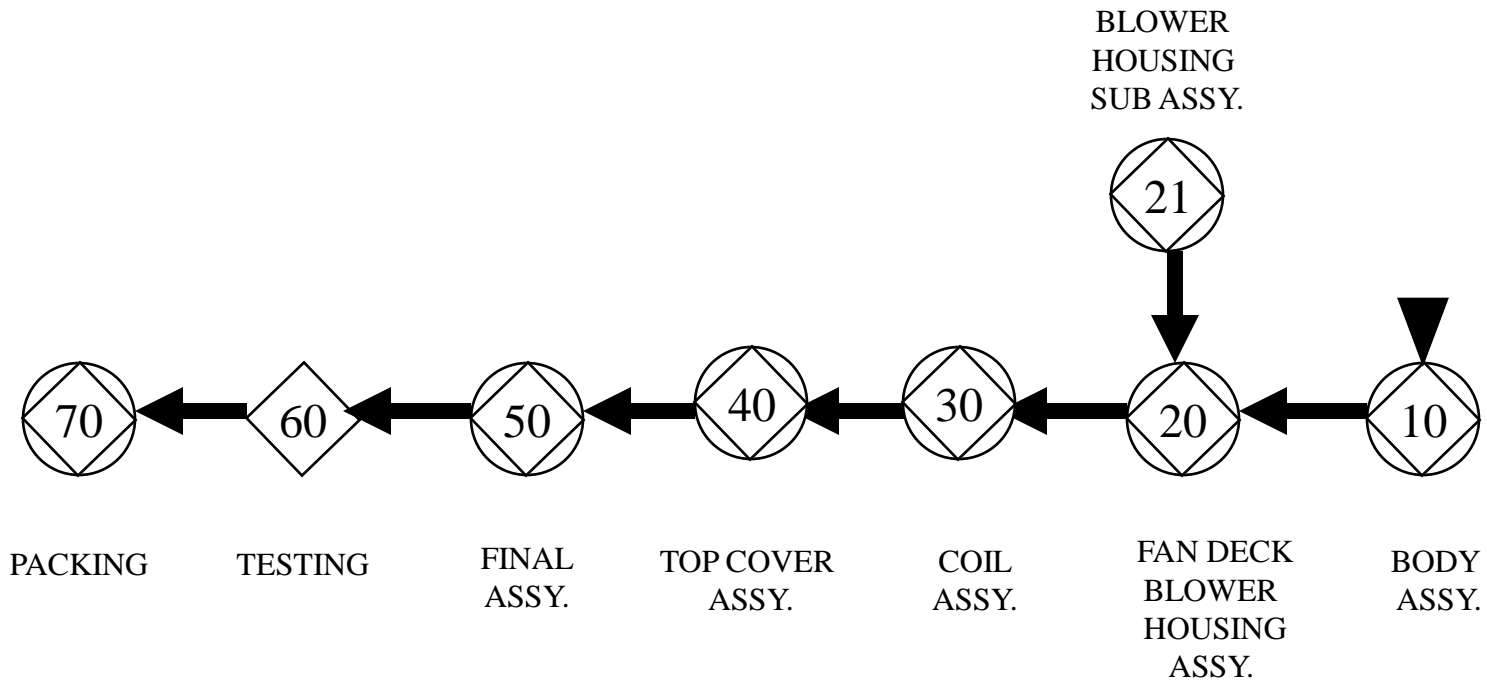
FLOW CHART "40LC7S & 010"



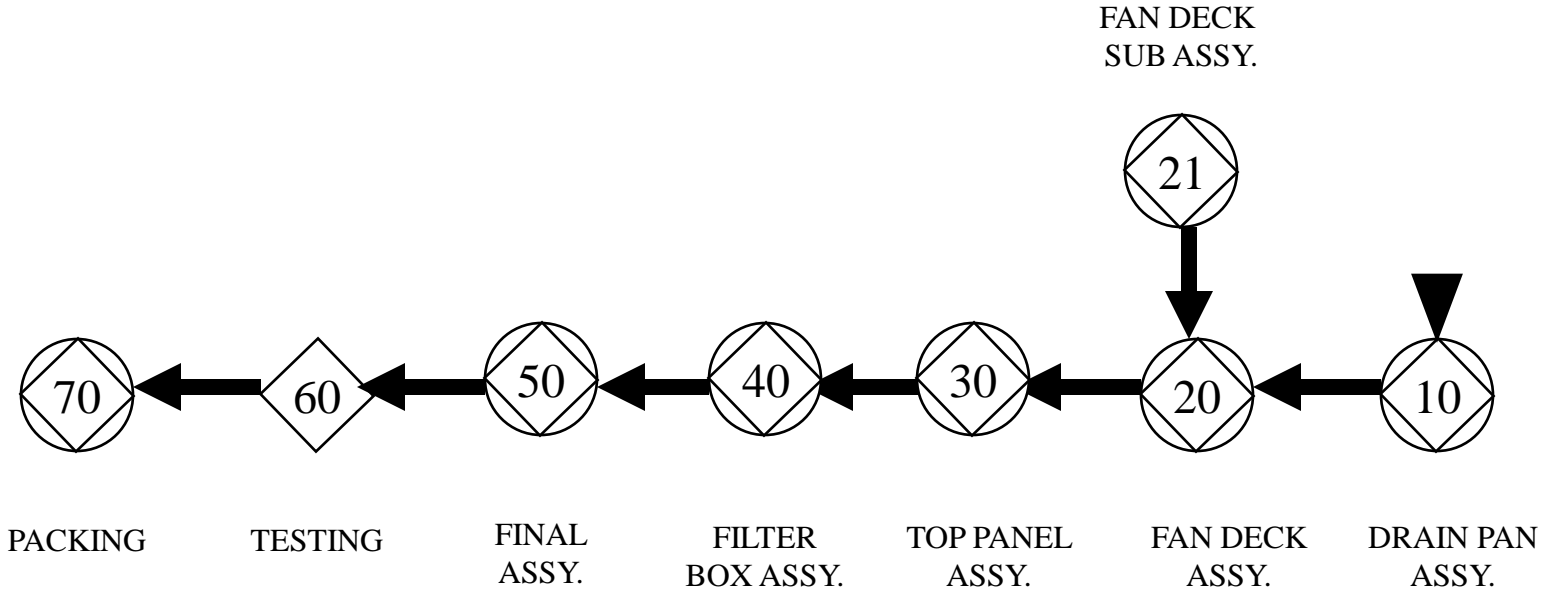
FLOW CHART “40LC004,005,006 & 009”



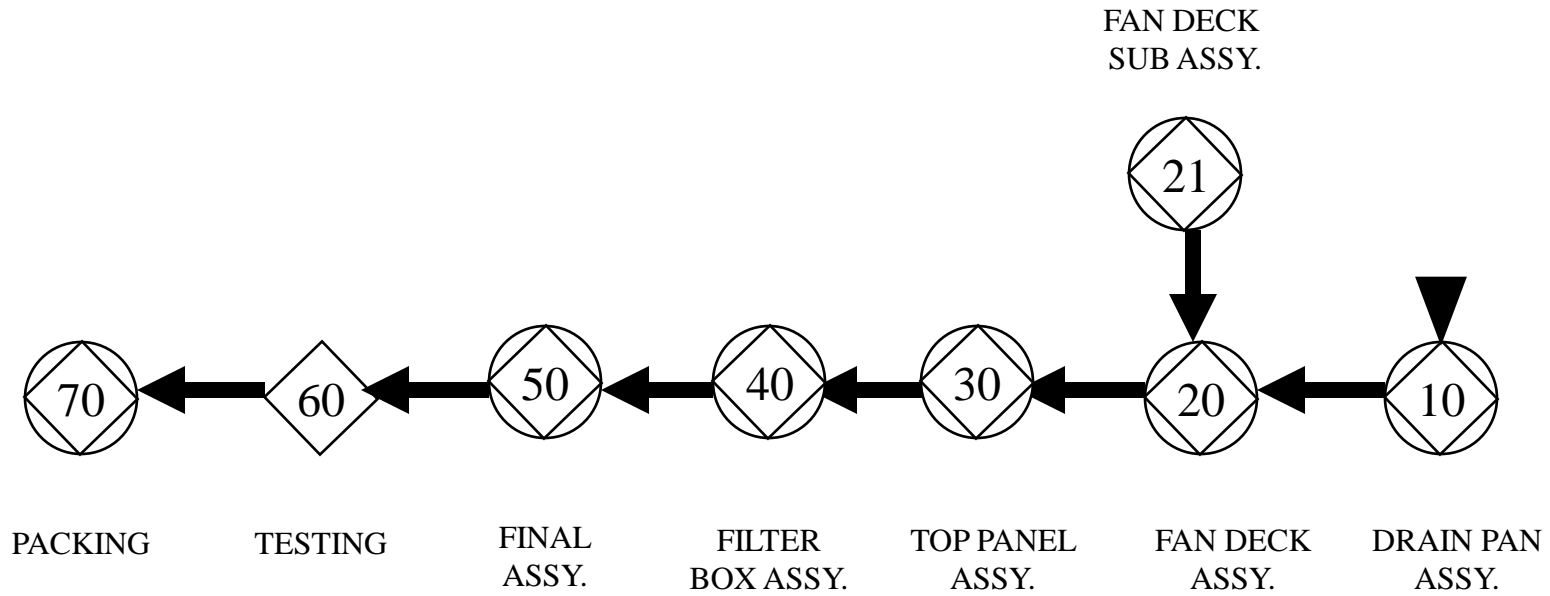
FLOW CHART “40LW004,006 & 009”



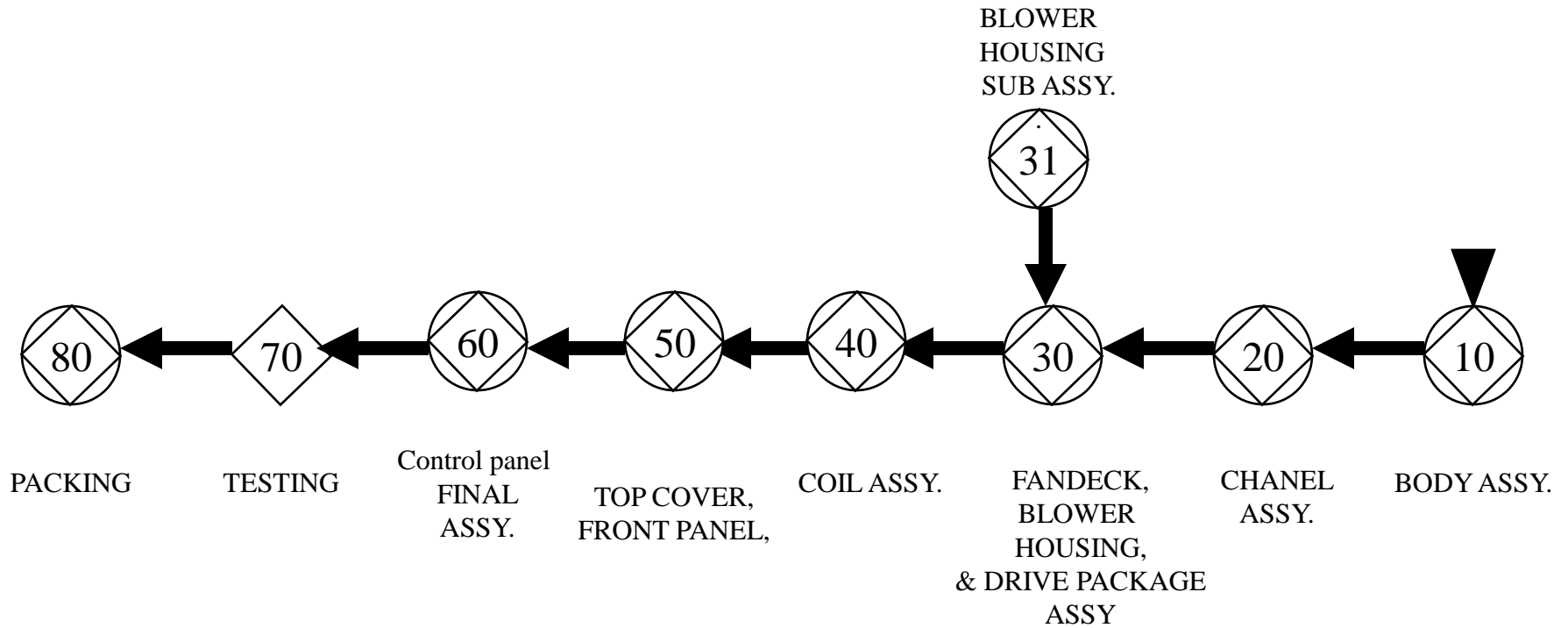
FLOW CHART “42CM (DX) 004,006,008 & 010”



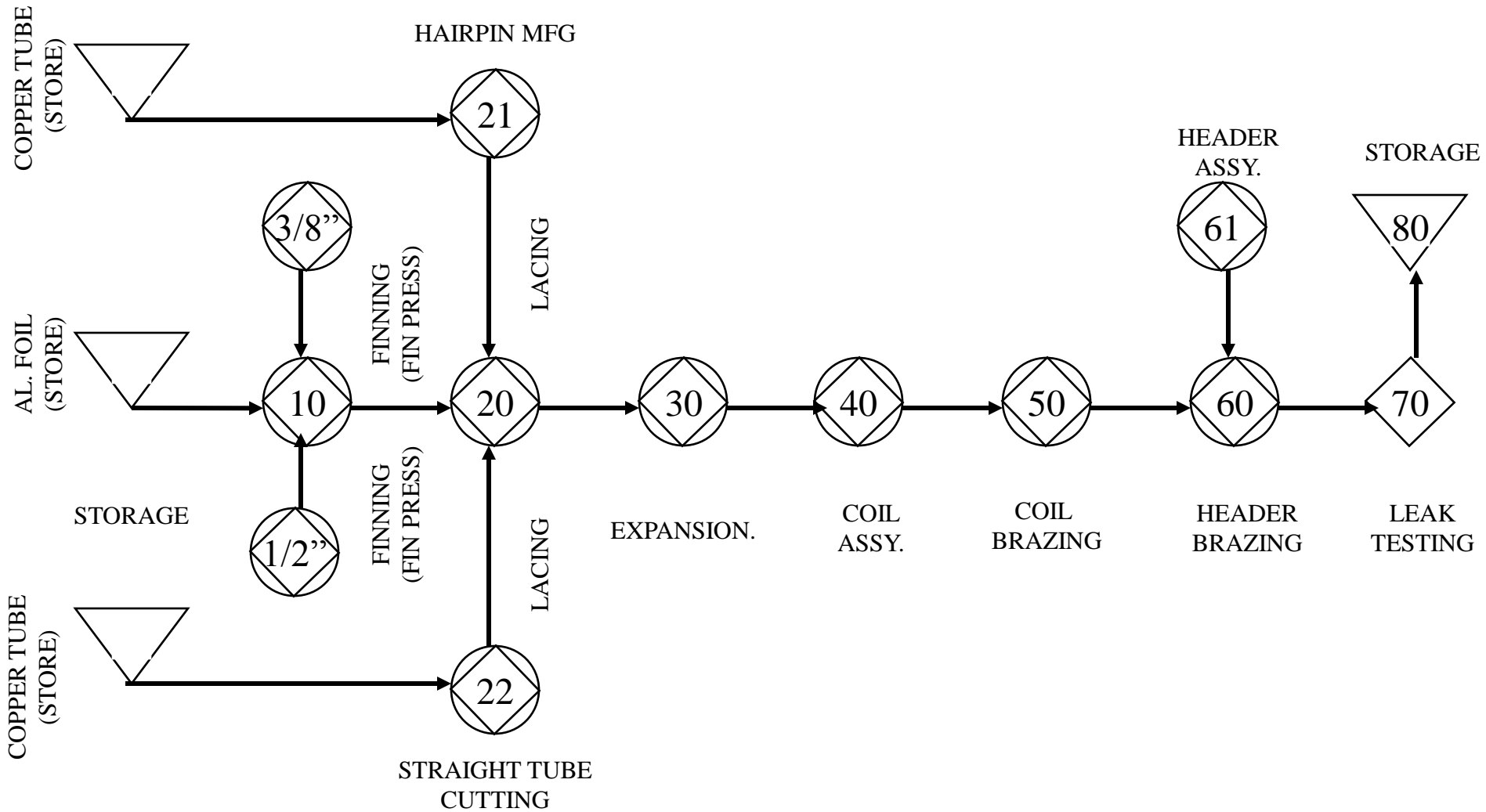
FLOW CHART “42CM (CW) 004,006,008 & 010”



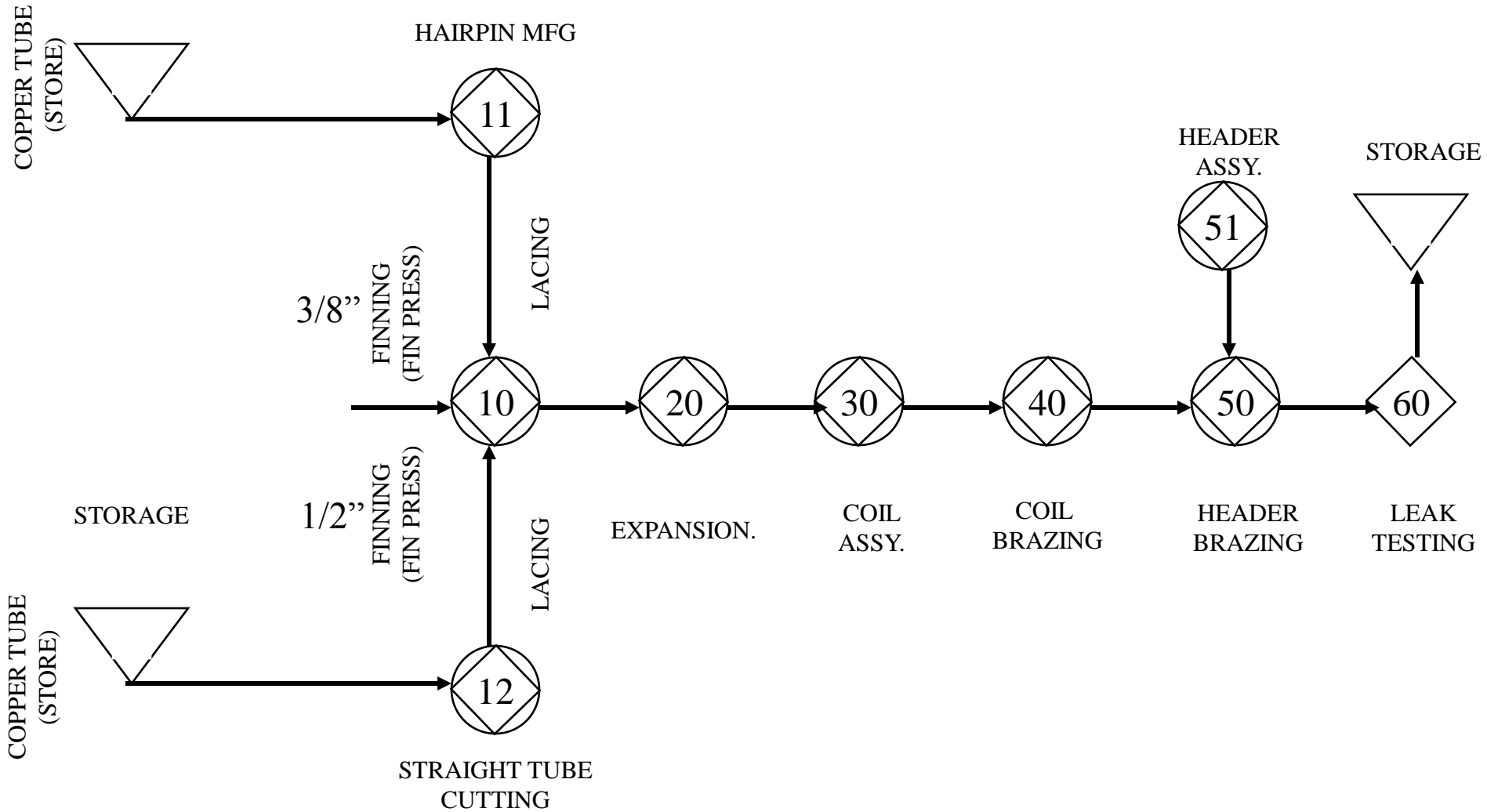
FLOW CHART “40LC 013 & 018” & LW-012/016



FLOW CHART "HAE COIL"



FLOW CHART "HAE COIL"



FLOW CHART "COOLER ASSY."

